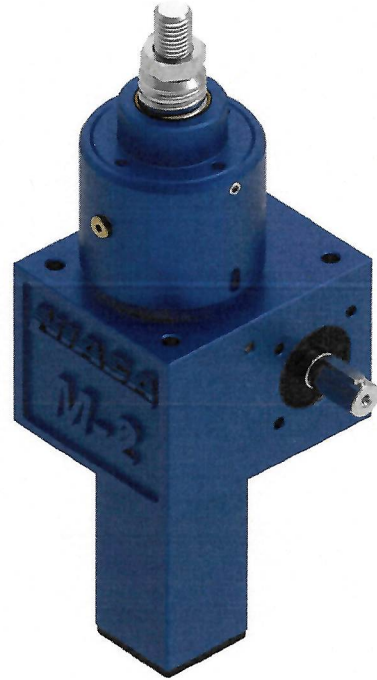




## M2 Screw jacks

Up to **10 kN (1 t)**

Static/Dynamic  
Tensile/Compres.



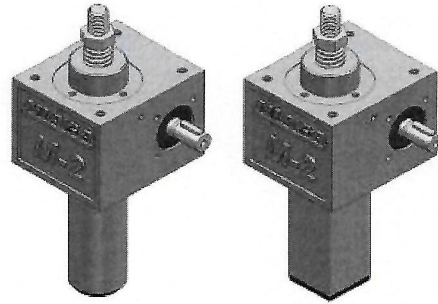
# M2 - Translating screw - Trapezoidal screw

Up to **10 kN (1 t)**

Static/Dynamic  
Tensile/Compres.

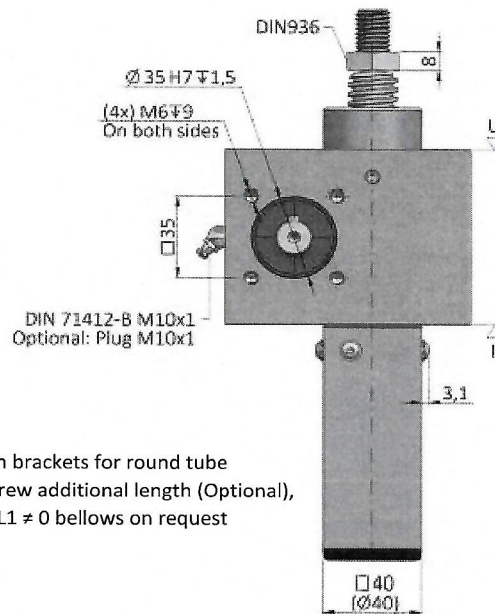
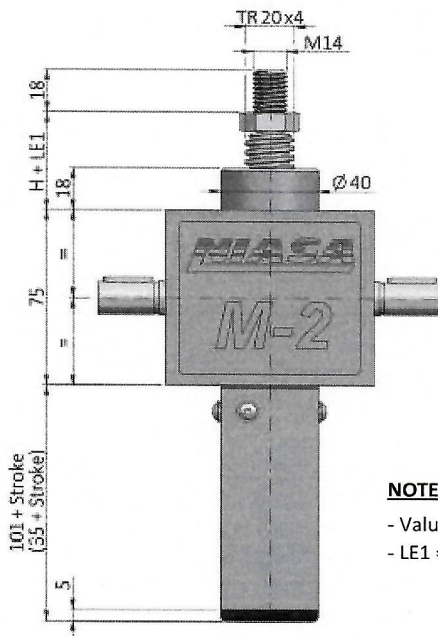


Round tube **SR** / Square tube **SS**  
Normal speed **4:1** / Low speed **16:1**  
Trapezoidal screw ( $\varnothing \times \text{Lead}$ ) **TR 20x4**



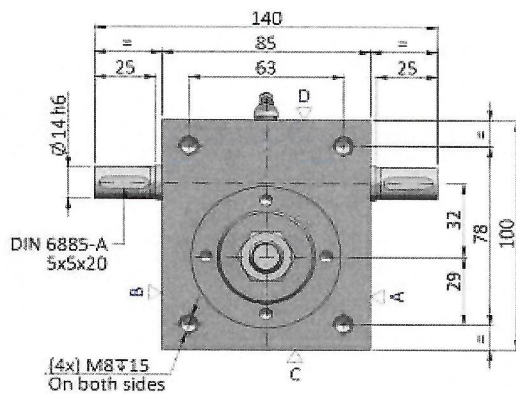
## Dimensions (mm)

See also sections: Technical data / Options



### NOTES

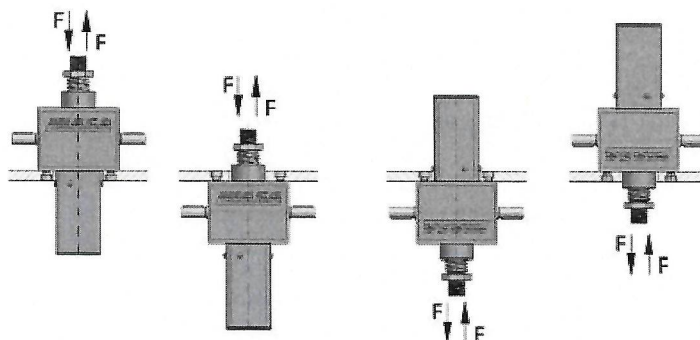
- Values in brackets for round tube
- LE1 = Screw additional length (Optional),  
If L1  $\neq$  0 bellows on request



Screw protection bellows	H at 0 mm stroke	
	Ball	Others
No bellows	42	42
Stroke 0-600 mm	150	158
Stroke 600-1000	230	238

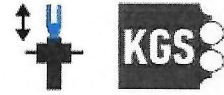
### Gear box fixing

- Screws: 4x M8 – Quality 8.8
- Threading depth in gearbox: 8-14 mm
- Tightening torque: 20 Nm
- Use thread-locker or locking washer
- Fixing faces: U or L
- Screw orientation: Any

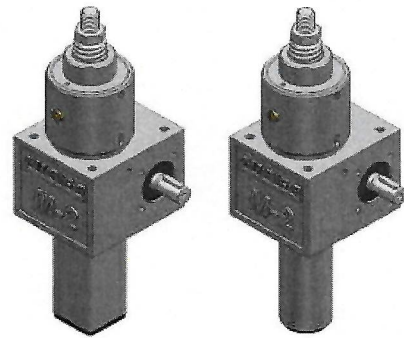


# M2 - Translating screw - Ball screw

Up to **10 kN (1 t)** Static/Dynamic Tensile/Compres.

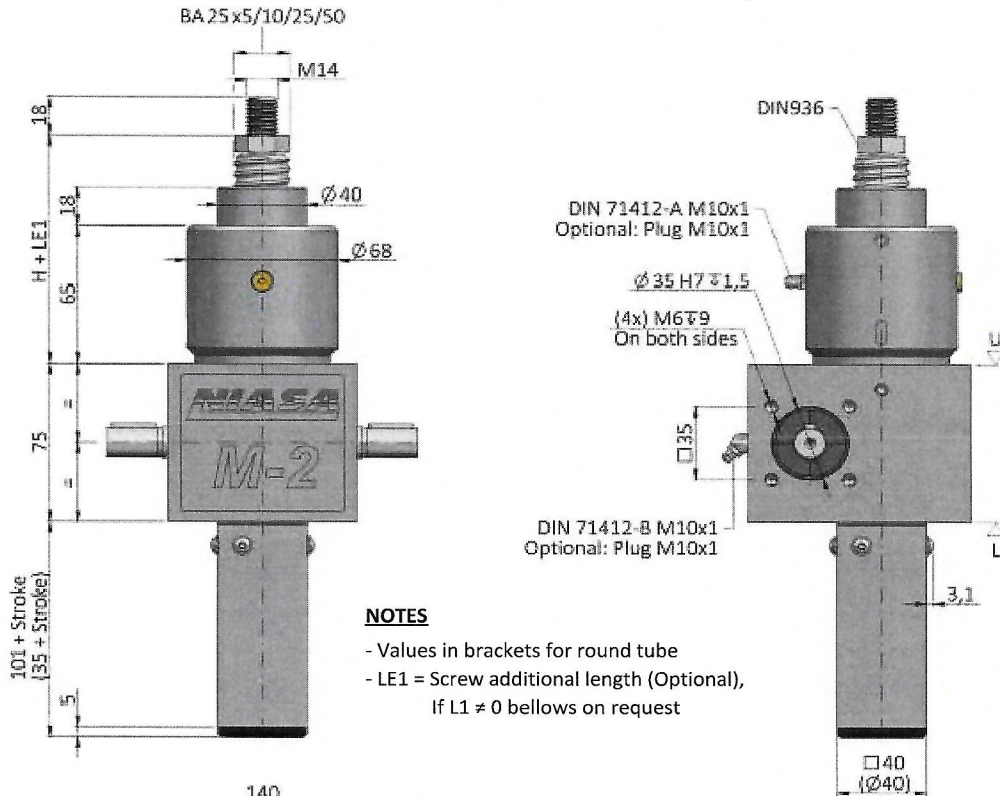


Round tube **SR** / Square tube **SS**  
 Normal speed **4:1** / Low speed **16:1**  
 Ball screw ( $\varnothing \times$ Lead) **BA 25x5 / 25x10 / 25x25 / 25x40**



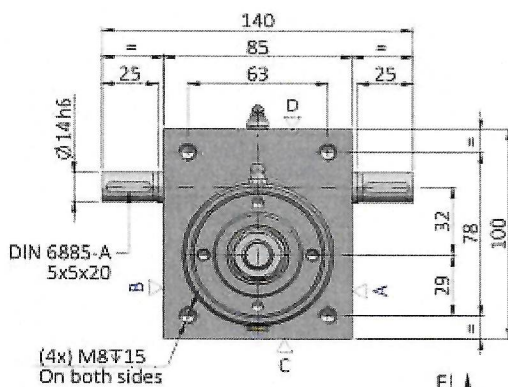
## Dimensions (mm)

See also sections: Technical features / Options



### NOTES

- Values in brackets for round tube
- LE1 = Screw additional length (Optional),  
 If L1  $\neq$  0 bellows on request

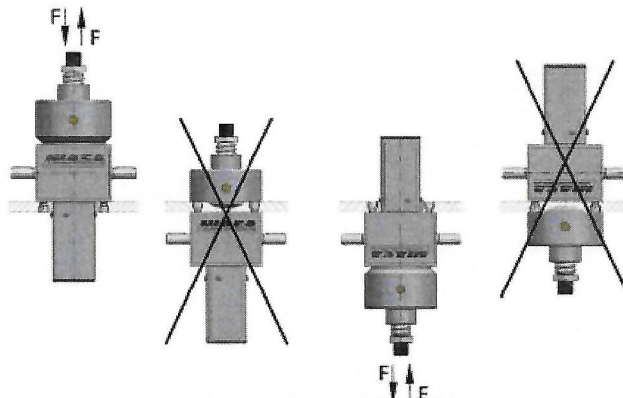


Screw protection bellows	H at 0 mm stroke	
	Ball	Others
No bellows	107	107
Stroke 0-600 mm	215	223
Stroke 600-1000	295	303

### Gear box fixing

Screws: 4x M8 – Quality 8.8  
 Threading depth in gearbox: 8-14 mm  
 Tightening torque: 20 Nm  
 Use thread-locker or locking washer

Fixing faces: U or L  
 Screw orientation: Any



B-2