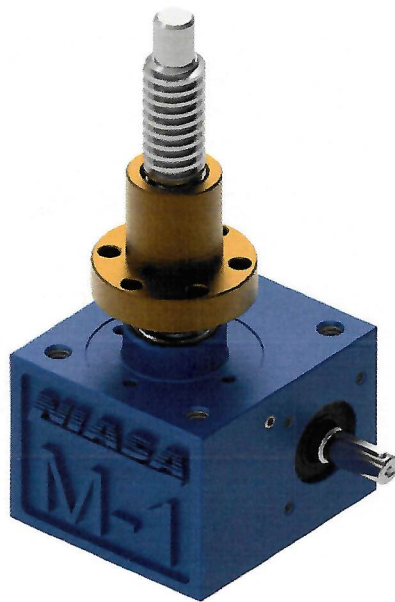
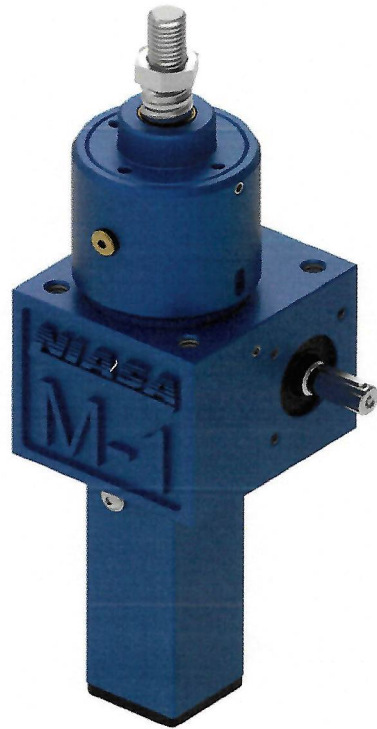




M1 Screw jacks

Up to **5 kN (0,5 t)**

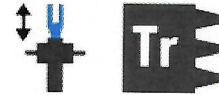
Static/Dynamic
Tensile/Compres.



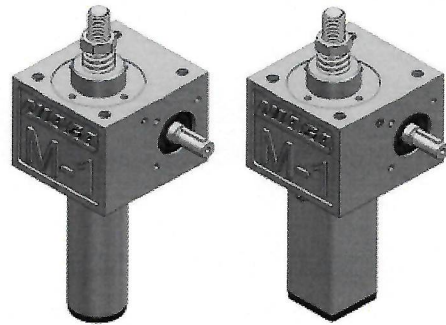
M1 - Translating screw - Trapezoidal screw

Up to **5 kN (0,5 t)**

Static/Dynamic
Tensile/Compres.

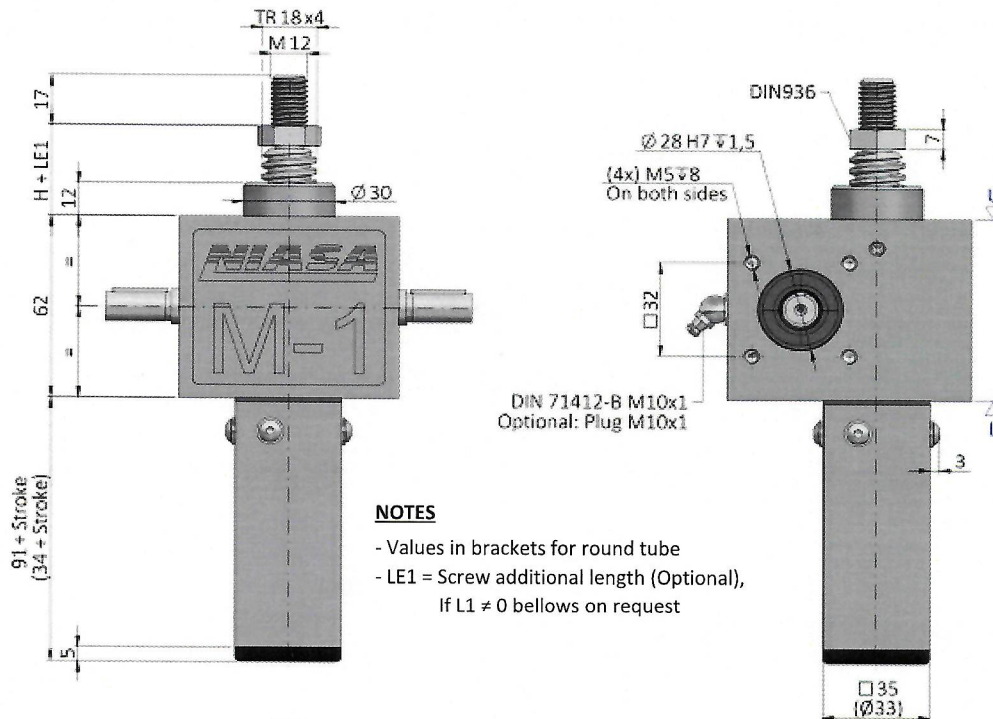


Round tube **SR** / Square tube **SS**
Normal speed **4:1** / Low speed **16:1**
Trapezoidal screw ($\varnothing \times$ Lead) **TR 18x4**



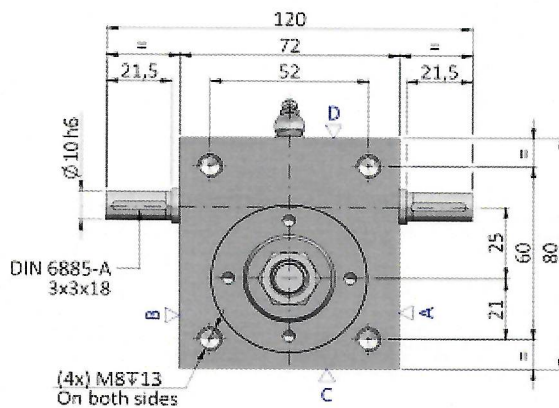
Dimensions (mm)

See also sections: Technical data / Options



NOTES

- Values in brackets for round tube
- LE1 = Screw additional length (Optional),
If L1 $\neq 0$ bellows on request

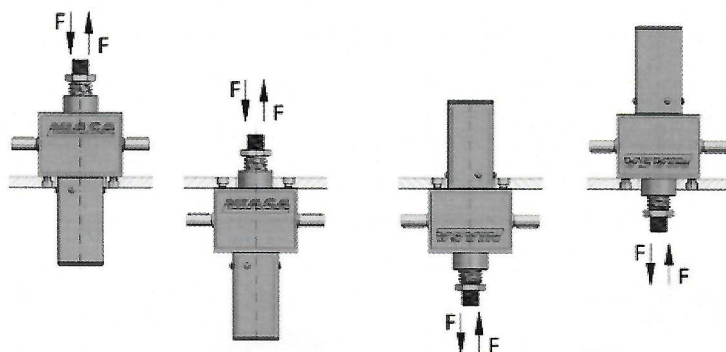


Screw protection bellows	H at 0 mm stroke	
	Screw end Ball	Others
No bellows	32	32
Stroke 0-500 mm	125	132
Stroke 500-800	185	192

Gear box fixing

Screws: 4x M8 – Quality 8.8
Threading depth in gearbox: 8-12 mm
Tightening torque: 15 Nm
Use thread-locker or locking washer

Fixing faces: U or L
Screw orientation: Any

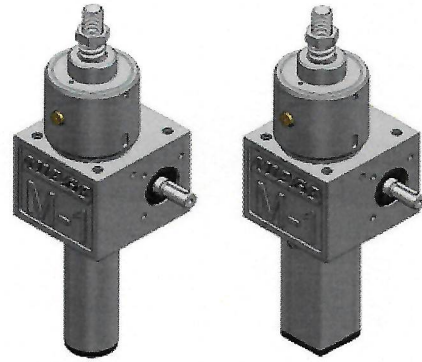


M1 - Translating screw - Ball screw

Up to **5 kN (0,5 t)** Static/Dynamic
Tensile/Compres.

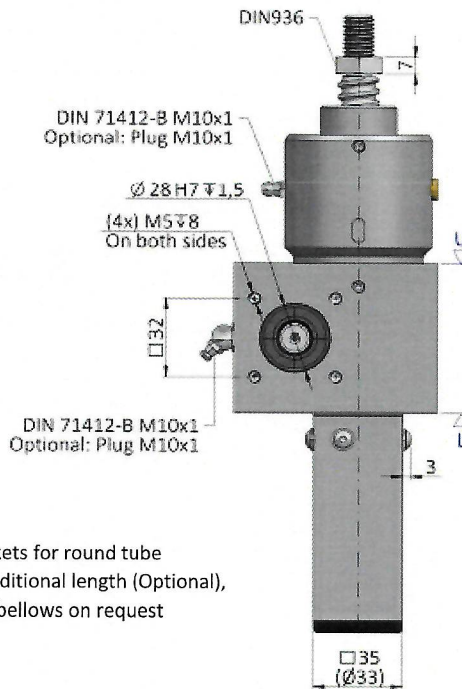
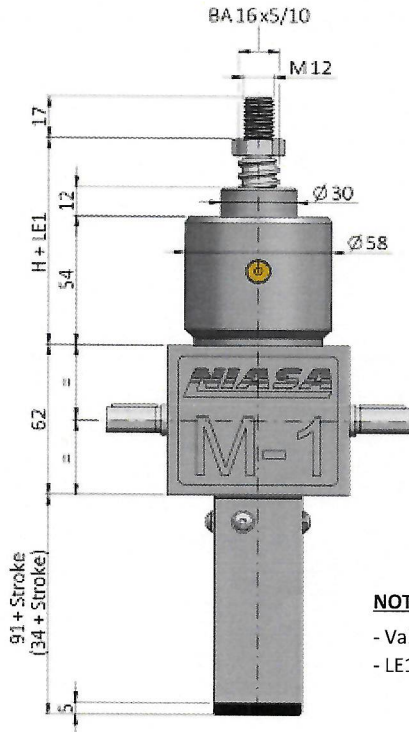


Round tube **SR** / Square tube **SS**
Normal speed **4:1** / Low speed **16:1**
Ball screw ($\varnothing \times$ Lead) **BA 16x5 / 16x10**



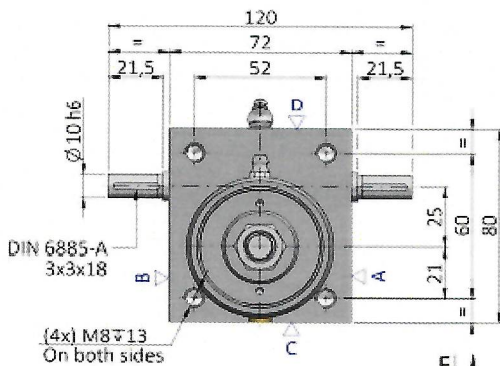
Dimensions (mm)

See also sections: Technical features / Options



NOTES

- Values in brackets for round tube
- LE1 = Screw additional length (Optional),
If L1 \neq 0 bellows on request

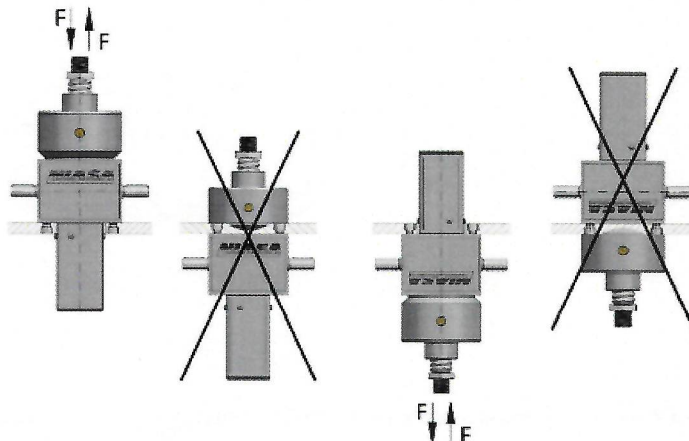


Screw protection bellows	H at 0 mm stroke	
	Ball	Others
No bellows	86	86
Stroke 0-500 mm	179	186
Stroke 500-800	239	246

Gear box fixing

Screws: 4x M8 – Quality 8.8
Threading depth in gearbox: 8-12 mm
Tightening torque: 15Nm
Use thread-locker or locking washer

Fixing faces: U or L
Screw orientation: Any



B-2